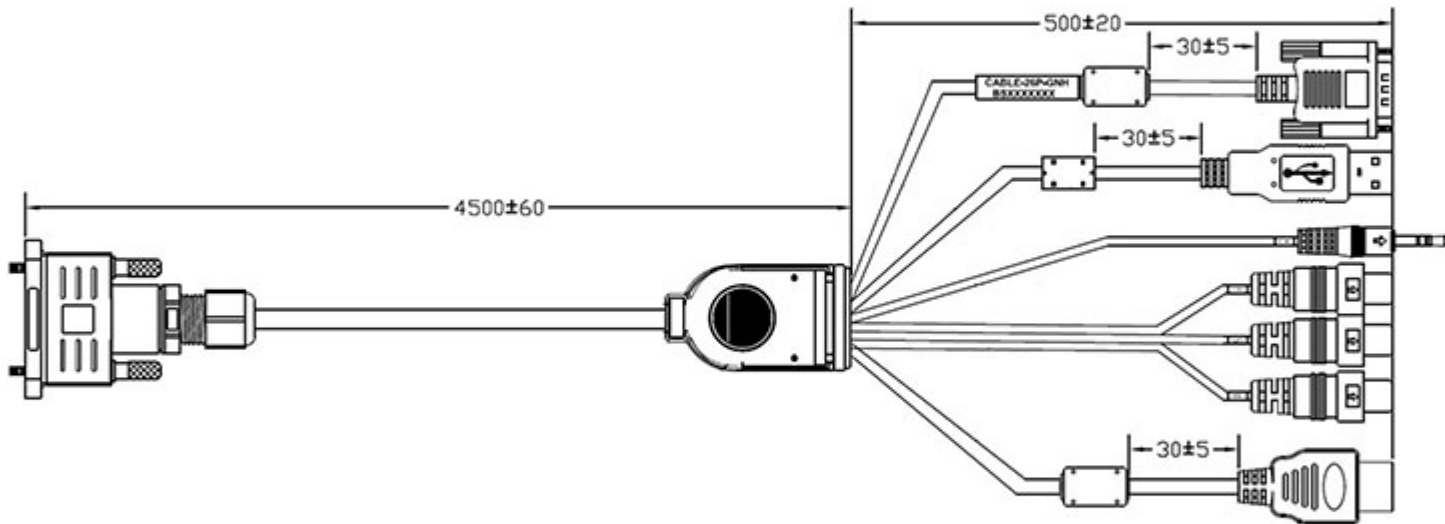


CABLE-26P-GNH-5M 26-PIN GNH Series Monitor HDMI, VGA, DVI & AV Input Cable - 5 METER - For 709GNH and 1029GNH



Description

IP67 Proprietary 26-PIN **5 Meter(16.4 Ft/500cm)** Long HDMI, VGA, DVI & AV Input Cable for 709GNH and 1029GNH. Note: Only works with the above mentioned models. Monitor cable connects to HDMI, VGA, DVI & AV Video Inputs.

Related Products:

1029GNH

709GNH

Features

26 PIN HDMI, VGA, DVI , AV & USB Rugged Monitor Cable 5Â Meter(16.4 Ft/500cm)

Function Diagram

26-PIN GNH Series Monitor HDMI, VGA, DVI & AV Input Cable - 5 METER - For 709GNH and 1029GNH

Image not found

<http://www.xenarc.com/image.php?type=FD&id=17729>

Package Contents

26 PIN HDMI, VGA, DVI , AV & USB Rugged Monitor Cable 5Â Meter(16.4 Ft/500cm)