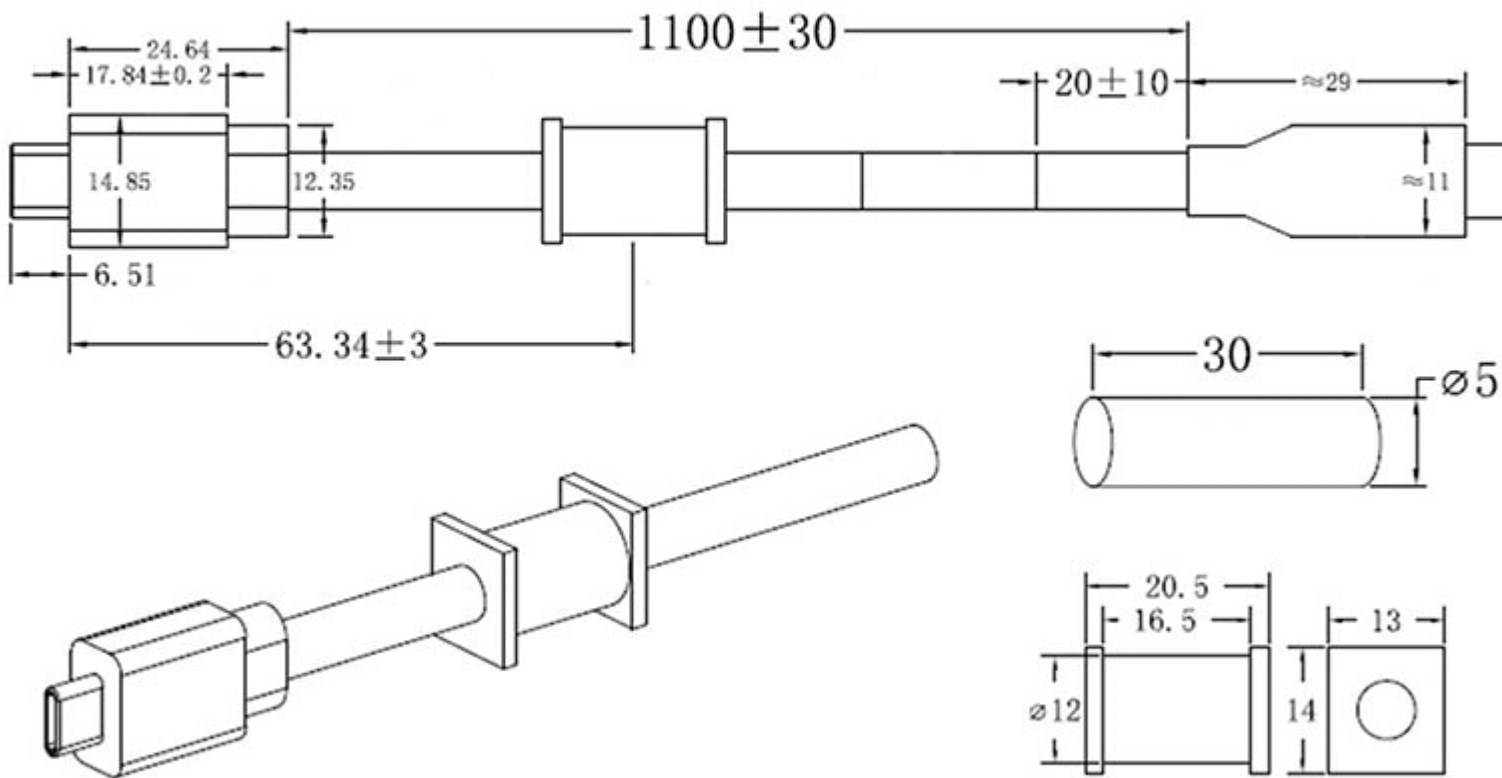


CABLE-IP-USBC IP USBC Cable for 892GFC, 1219GNC, and 1569GNC Monitors - 1 METER



Description

Standard Length **1 Meter (3.28ft/100cm)** IP USB-C direct connect Cable. Designed specifically for 1219GNC and 1569GNC Monitors to provide water-tight seal when input box cover is installed. Also designed specifically for 892GFC where the cable locks in place when the metal cable bracket is installed.

Related Products:

892GFC

1219GNC

1569GNC

Features

Standard Length 1 Meter (3.28ft/100cm) IP USB-C direct connect Cable. Designed specifically for 1219GNC and 1569GNC Monitors to provide water-tight seal when input box cover is installed. Also designed specifically for 892GFC where the cable locks in place when the metal cable bracket is installed.

Function Diagram

IP USBC Cable for 892GFC, 1219GNC, and 1569GNC Monitors - 1 METER

Image not found
<http://www.xenarc.com/image.php?type=FD&id=17780>

Package Contents

Standard Length 1 Meter (3.28ft/100cm) IP USB-C direct connect Cable. Designed specifically for 1219GNC and 1569GNC Monitors to provide water-tight seal when input box cover is installed. Also designed specifically for 892GFC where the cable locks in place when the metal cable bracket is installed.